

REV.	ECN.NO.	NAME	DATA
A0	NEW	MIN-D	2020-06-22

**SPECIFICATION NOTES:**

**ELECTRICAL:**

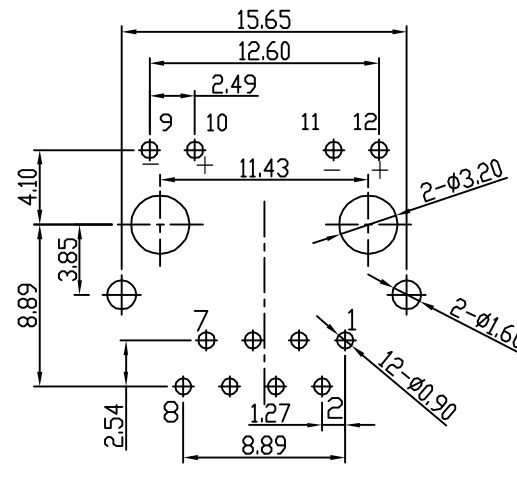
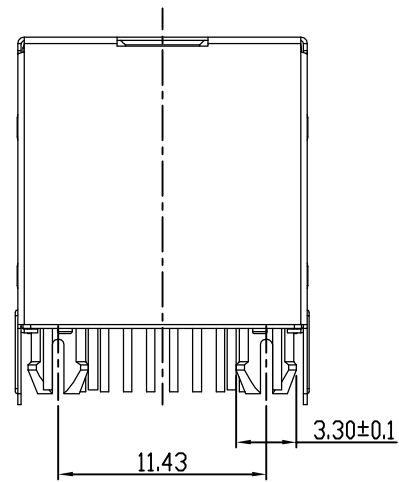
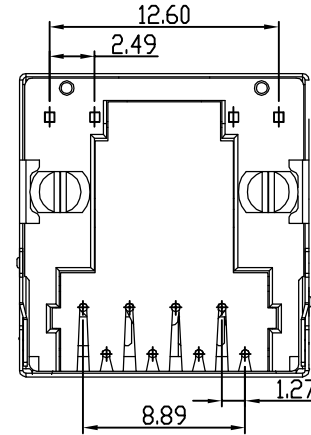
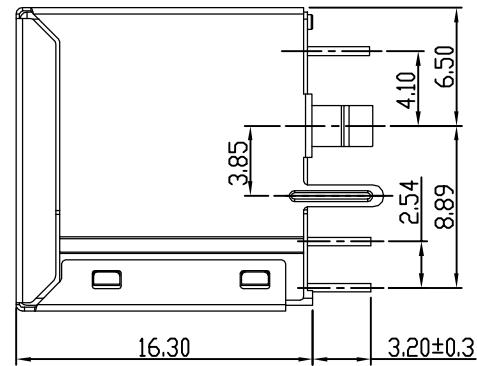
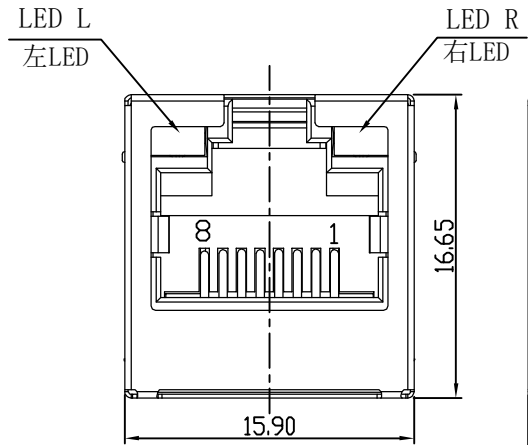
- VOLTAGE RATING: 125 VAC RMS
- CURRENT RATING: 1.5 AMP
- CONTACT RESISTANCE: 30mΩ MAX.
- INSULATION RESISTANCE: 500MΩMIN. AT 500V DC.
- DIELECTRIC STRENGTH: 1000 VAC 50Hz 1MINUTE

**MECHANICAL:**

- HOUSING MATERIAL: SEE PART NUMBER.
- CONTACTS:∅0.46mm PHOSPHOR BRONZE,GOLD PLATING OVER NICKEL
- SHIELD:0.20mm THICKNESS COPPER ALLOY WITH NICKEL PLATED.
- OPERATING LIFE:750 CYCLES MIN.
- MATING FORCE: 22N MAX. UNMATING FORCE: 22N MAX.
- Wave soldering Temp: 235\*+/-5°

**ENVIRONMENTAL:**

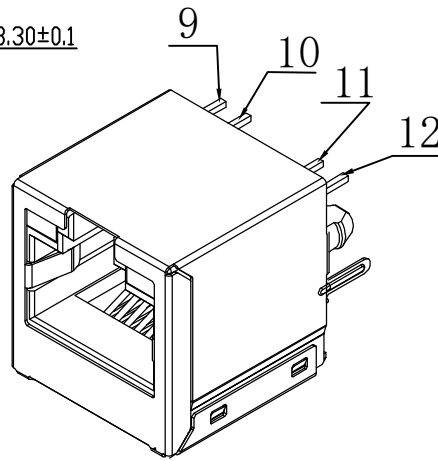
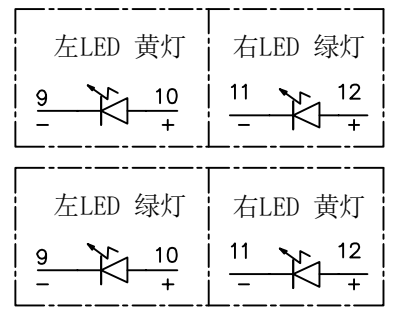
- STORAGE:-40°C TO +85°C
- OPERATION: -40°C TO +85°C



Recommend PCB Layout  
TOLERANCES:±0.05

52-XX 88 X X X 5 - X

- 1x1: 11
- 8P8C:88
- Fu": 1
- 1u": 2
- 3u": 3
- 6u": 4
- 15u": 5
- 30u": 6
- 50u": 7
- Plating 电镀
- COLOR(颜色): 1.BLACK(黑色), 2.GRAY(灰色), 3.BLUE(蓝色), 4.YELLOW(114C黄), 5.WHITE(白色)
- Material 材质: A:PBT, B:PA66, C:PA46
- 5: w/ shield 有外壳 带灯 脚后3.85



DETACHED LISTS	MM (INCH)		绘图 (Designed)	MIN-D 2020-06-22	
	公差 TOLERANCES		审核 (Checked)		
	MM	MM	批准 (Approved)		
	.0 ± 0.20	.0 ± 0.38	材料 (Material)	SEE NOTES	
	.00 ± 0.15	.00 ± 0.25	比例 (SCALE)	1:1	
.00 ± 0.075	.00 ± 0.15	角度 (ANGLES)	± 1.5°		
第三视图					

<b>XWJ</b> 东莞市欣旺久电子有限公司 XIN WANG JIU Electronics Co.,Ltd			
系列 (SERIES)	名称 (NAME)		
RJ	XWJ-5224 8P8C 全包 带灯 脚后3.85		
图号 (DWG NO.):	料号 (PART NO.):	52-XX88XXX5-X	版本 REV. A0
单位 (UNIT):	MM	共 (SHEET) 1 页 第 (OF) 1 页	

1  
2  
3  
4  
5  
6  
7  
8

A B C D E F G H